



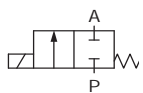
## 2/2 and 3/2-way Rocker Solenoid Valve for analytical applications

- 10 mm width
- Orifice DN 0.8 to DN 1.6  
with pressure range vacuum to 5 bar
- Medium separation, for aggressive fluids
- Direct acting

Type 6624 combines the reliable and successful Rocker principle with a highly innovative new actuator. The TwinPower concept of this actuator reduces the size greatly without loss in performance. Hence the 10 mm wide medium isolated rocker valve, 6624, with a 1.6 mm orifice and a pressure resistance of 2 bar, provides the same performance as a traditional 16 mm valve. In addition, the integrated power reduction decreases the energy consumption by 75%. In combination with other design features the heat transfer into the medium can be reduced to a minimum.

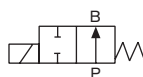
In the design of the 6624, the main benefits lie in its excellent cleanability and a high reliability. By using high performance materials the 6624 suits the handling of aggressive medium perfectly. The valve is available in a 2-way and 3-way version.

### Circuit function A



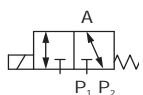
2/2-way valve,  
normally closed

### Circuit function B



2/2-way valve,  
normally open

### Circuit function T



3/2-way valve,  
universal function

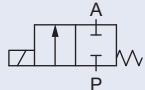
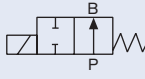
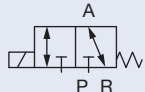
Technical Data	
<b>Orifice</b>	DN 0.8 mm (Vac-5 bar), DN 1.6 mm (Vac-2 bar)
<b>Body material</b>	PEEK / PPS
<b>Seal material</b>	FFKM / FKM / EPDM
<b>Medium</b>	Resistant to neutral and aggressive gases and liquids acc. to our chemical resistance chart
<b>Medium temperature</b>	
FFKM	+15° C to +50° C
FKM	- 5° C to +50° C
EPDM	- 5° C to +50° C
<b>Ambient temperature</b>	
FFKM	+15° C to +55° C
FKM	-10° C to +55° C
EPDM	-10° C to +55° C
<b>Internal volume</b>	<100 µl
<b>Port connection</b>	Sub-base / UNF / Tube connection
<b>Electrical connection</b>	Flying leads, Rectangular plug
<b>Power supply</b>	24 V <sup>1)</sup> / 12V <sup>1)</sup>
<b>Voltage tolerance</b>	
24V	±10% <sup>2)</sup>
12V	+10% / -5% <sup>2)</sup>
<b>Nominal power consumption</b>	4W inrush power 1W nominal holding power (internal power reduction )
<b>Duty cycle</b>	100% continuous rating
<b>Installation</b>	As required
<b>Protection class</b>	IP 40
<b>Switching frequency</b>	max. 5 Hz <sup>3)</sup>
<b>Response times</b>	
opening	Acc. DIN 12238 ca. 10 ms (Pressure rise 0-10%)
closing	ca. 13 ms (Pressure drop 100-90%)

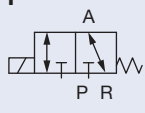
<sup>1)</sup> Battery voltage, observe polarity (red= +, black = -)

<sup>2)</sup> Max. allowed ripple

<sup>3)</sup> with ambient temperature of 20° C

## Ordering chart (Sample of available versions. Others on request.)

Circuit function	Orifice [mm]	Port connection	Kv value water [m <sup>3</sup> /h] <sup>1)</sup>	Pressure range [bar] <sup>2)</sup>	Max. pressure difference [bar]	Seal material	Body material	Electrical connection	Voltage/Frequency [V/Hz]	Item no.
<b>A</b>  2/2-way valve, NC	0,8	Sub-base	0,01	Vac-5	5	EPDM	PPS	Flying leads	12	241 341
	0,8	Sub-base	0,01	Vac-5	5	EPDM	PPS	Rectangular plug <sup>3)</sup>	12	241 398
	0,8	Sub-base	0,01	Vac-5	5	EPDM	PPS	Flying leads	24	241 342
	0,8	Sub-base	0,01	Vac-5	5	EPDM	PPS	Rectangular plug <sup>3)</sup>	24	241 399
	0,8	Sub-base	0,01	Vac-5	5	FFKM	PEEK	Flying leads	12	241 344
	0,8	Sub-base	0,01	Vac-5	5	FFKM	PEEK	Flying leads	24	227 015
	0,8	Sub-base	0,01	Vac-5	5	FKM	PPS	Rectangular plug <sup>3)</sup>	12	241 405
	0,8	Sub-base	0,01	Vac-5	5	FKM	PPS	Flying leads	24	241 351
	0,8	UNF	0,01	Vac-5	5	FFKM	PEEK	Flying leads	24	241 346
	0,8	UNF	0,01	Vac-5	5	FKM	PEEK	Flying leads	24	241 349
	0,8	UNF	0,01	Vac-5	5	FKM	PEEK	Rectangular plug <sup>3)</sup>	24	241 404
	1,6	Sub-base	0,04	Vac-2	2	EPDM	PPS	Rectangular plug <sup>3)</sup>	12	241 412
	1,6	Sub-base	0,04	Vac-2	2	EPDM	PPS	Rectangular plug <sup>3)</sup>	24	241 413
	1,6	Sub-base	0,04	Vac-2	2	FFKM	PEEK	Flying leads	12	241 359
	1,6	Sub-base	0,04	Vac-2	2	FFKM	PEEK	Rectangular plug <sup>3)</sup>	24	229 429
	1,6	Sub-base	0,04	Vac-2	2	FKM	PPS	Flying leads	12	241 367
	1,6	Sub-base	0,04	Vac-2	2	FKM	PPS	Rectangular plug <sup>3)</sup>	12	241 424
	1,6	Sub-base	0,04	Vac-2	2	FKM	PPS	Flying leads	24	241 368
	1,6	UNF	0,04	Vac-2	2	EPDM	PEEK	Rectangular plug <sup>3)</sup>	24	241 411
	1,6	UNF	0,04	Vac-2	2	FFKM	PEEK	Flying leads	24	241 361
1,6	UNF	0,04	Vac-2	2	FKM	PEEK	Flying leads	24	241 366	
1,6	UNF	0,04	Vac-2	2	FKM	PEEK	Rectangular plug <sup>3)</sup>	24	241 423	
1,6	Tube	0,04	Vac-2	2	EPDM	PEEK	Rectangular plug <sup>3)</sup>	24	241 409	
1,6	Tube	0,04	Vac-2	2	FFKM	PEEK	Flying leads	24	237 705	
1,6	Tube	0,04	Vac-2	2	FKM	PEEK	Flying leads	24	241 363	
1,6	Tube	0,04	Vac-2	2	FKM	PEEK	Rectangular plug <sup>3)</sup>	24	241 421	
<b>B</b>  2/2-way valve, NO	0,8	Sub-base	0,01	Vac-5	5	FFKM	PEEK	Flying leads	24	on request
	1,6	Sub-base	0,04	Vac-2	2	FFKM	PEEK	Flying leads	24	on request
	1,6	Sub-base	0,04	Vac-2	2	FFKM	PEEK	Rectangular plug <sup>3)</sup>	24	on request
<b>T</b>  3/2-way valve, Universal version	0,8	Sub-base	0,01	Vac-5	5	EPDM	PPS	Rectangular plug <sup>3)</sup>	12	241 428
	0,8	Sub-base	0,01	Vac-5	5	EPDM	PPS	Rectangular plug <sup>3)</sup>	24	241 429
	0,8	Sub-base	0,01	Vac-5	5	FFKM	PEEK	Flying leads	12	241 373
	0,8	Sub-base	0,01	Vac-5	5	FFKM	PEEK	Flying leads	24	222 936
	0,8	Sub-base	0,01	Vac-5	5	FKM	PPS	Flying leads	24	241 379
	0,8	Sub-base	0,01	Vac-5	5	FKM	PPS	Rectangular plug <sup>3)</sup>	12	241 435
	0,8	UNF	0,01	Vac-5	5	FFKM	PEEK	Flying leads	24	241 375
	0,8	UNF	0,01	Vac-5	5	FKM	PEEK	Flying leads	24	241 377
	0,8	UNF	0,01	Vac-5	5	FKM	PEEK	Rectangular plug <sup>3)</sup>	24	241 434
	1,6	Sub-base	0,04	Vac-2	2	EPDM	PPS	Rectangular plug <sup>3)</sup>	12	241 442
	1,6	Sub-base	0,04	Vac-2	2	EPDM	PPS	Rectangular plug <sup>3)</sup>	24	241 443
	1,6	Sub-base	0,04	Vac-2	2	FFKM	PEEK	Flying leads	12	239 935
	1,6	Sub-base	0,04	Vac-2	2	FFKM	PEEK	Flying leads	24	227 815
	1,6	Sub-base	0,04	Vac-2	2	FFKM	PEEK	Rectangular plug <sup>3)</sup>	24	229 430
	1,6	Sub-base	0,04	Vac-2	2	FKM	PPS	Flying leads	12	241 394
	1,6	Sub-base	0,04	Vac-2	2	FKM	PPS	Rectangular plug <sup>3)</sup>	12	241 453
	1,6	Sub-base	0,04	Vac-2	2	FKM	PPS	Flying leads	24	241 395
	1,6	UNF	0,04	Vac-2	2	EPDM	PEEK	Rectangular plug <sup>3)</sup>	24	241 441
	1,6	UNF	0,04	Vac-2	2	FFKM	PEEK	Flying leads	24	241 389
	1,6	UNF	0,04	Vac-2	2	FKM	PEEK	Rectangular plug <sup>3)</sup>	24	241 452
1,6	UNF	0,04	Vac-2	2	FKM	PEEK	Flying leads	24	241 393	

Circuit function	Orifice [mm]	Port connection	Kv value water [m <sup>3</sup> /h] <sup>1)</sup>	Pressure range [bar] <sup>2)</sup>	Max. pressure difference [bar]	Seal material	Body material	Electrical connection	Voltage/Frequency [V/Hz]	Item no.
<b>T</b>  3/2-way valve, Universal version	1,6	Tube	0,04	Vac-2	2	EPDM	PEEK	Rectangular plug <sup>3)</sup>	24	241 439
	1,6	Tube	0,04	Vac-2	2	FFKM	PEEK	Flying leads	24	241 387
	1,6	Tube <sup>4)</sup>	0,04	Vac-2	2	FFKM	PEEK	Flying leads	24	242 320
	1,6	Tube	0,04	Vac-2	2	FFKM	PEEK	Rectangular plug <sup>3)</sup>	24	241 445
	1,6	Tube	0,04	Vac-2	2	FKM	PEEK	Flying leads	24	241 391
	1,6	Tube	0,04	Vac-2	2	FKM	PEEK	Rectangular plug <sup>3)</sup>	24	241 450

<sup>1)</sup> Measured at +20 °C, 1 bar pressure at value inlet and free outlet.




<sup>2)</sup> Measured as overpressure with respect to atmospheric pressure.

<sup>3)</sup> Rectangular cable plug with 300mm flying leads; Item no. 644068 (order separately)

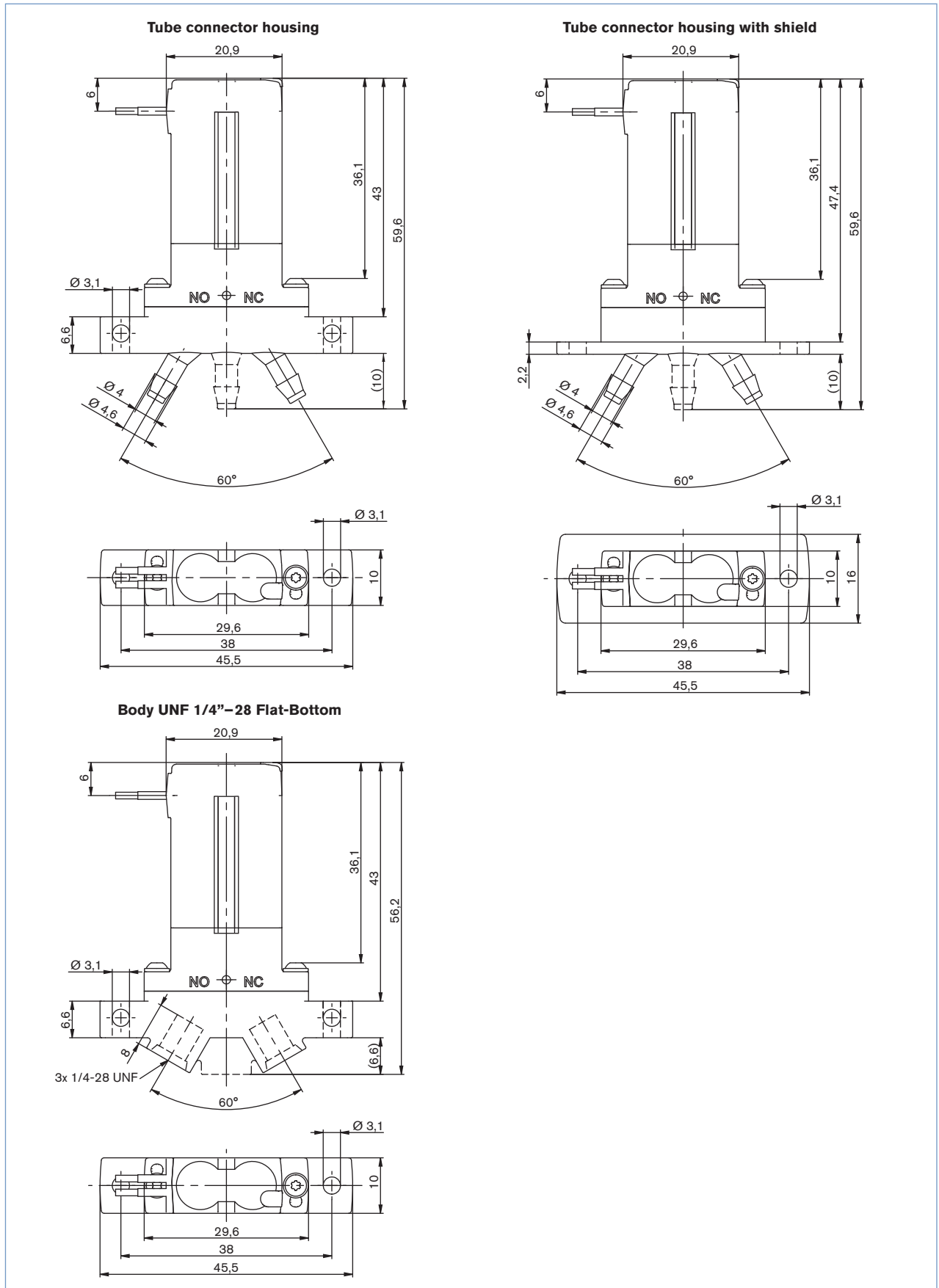
<sup>4)</sup> Housing has a shield for easy separation of electronics and fluids.

**Mounting screws:** 2 pieces of VA-screws M2x10 (supplied as standard)

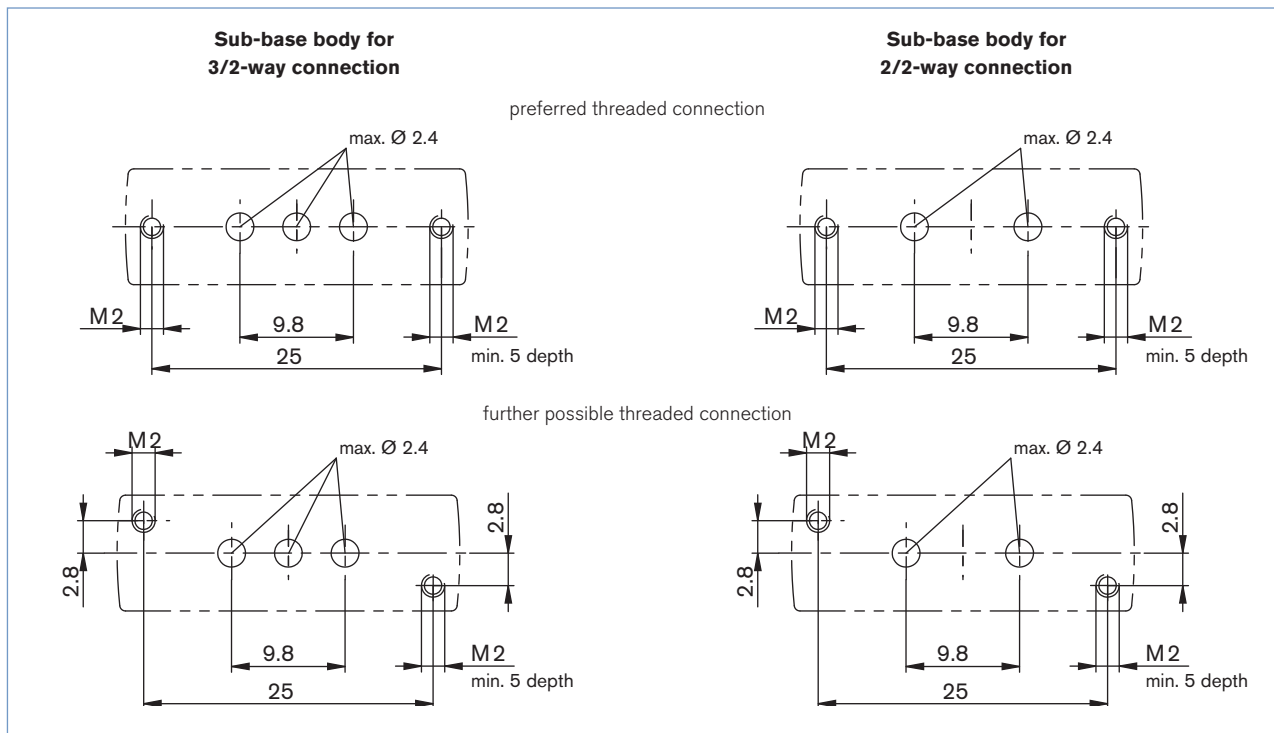
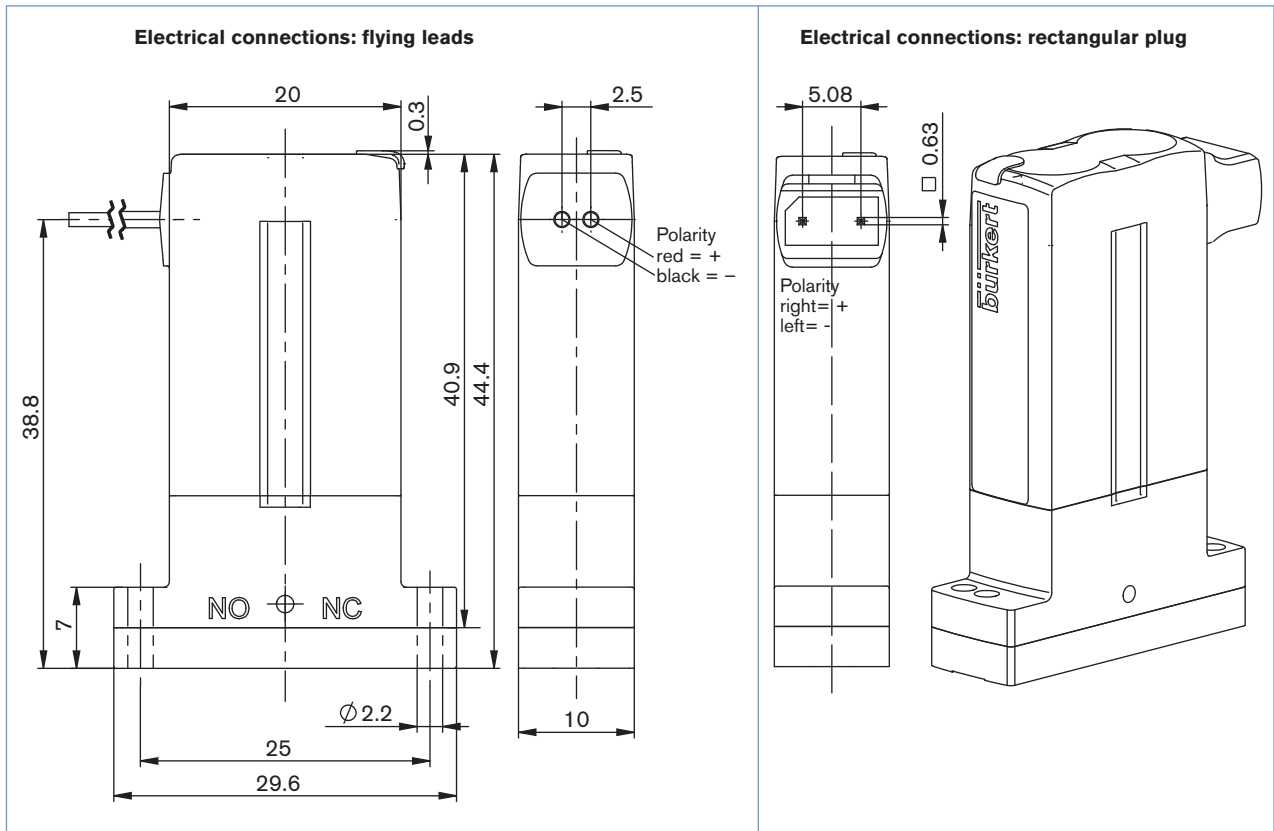
### Ordering chart accessories

Accessories	Features	Item no.
	Rectangular plug Type 2505 with 3 m cable	133 486
	Rectangular plug Type 2505 with 300 mm flying leads	644 068
	Rectangular plug Type 2505, single contact for individual mounting	644 067
Gasket for tube connector housing with shield	EPDM, foamed	685 294

Dimensions [mm]



Dimensions [mm]



To find your nearest Bürkert facility, click on the orange box →

[www.buerkert.com](http://www.buerkert.com)

In case of special application conditions, please consult for advice.

Subject to alterations  
© Christian Bürkert GmbH & Co. KG

1406/4\_EU-en\_00895183