


## 3/2 and 4/2-way Solenoid Valve for pneumatic systems

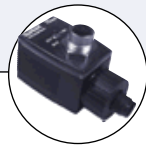


- Compact design
- Reduced power consumption
- High cycle rocker pilot
- Various pneumatic connections available
- Approvals: 

Type 5470 E can be combined with...



**Type 2506**  
Cable plug



**Type 2510/2511**  
ASI cable plug



**Type 2012**  
Single-seat globe valve



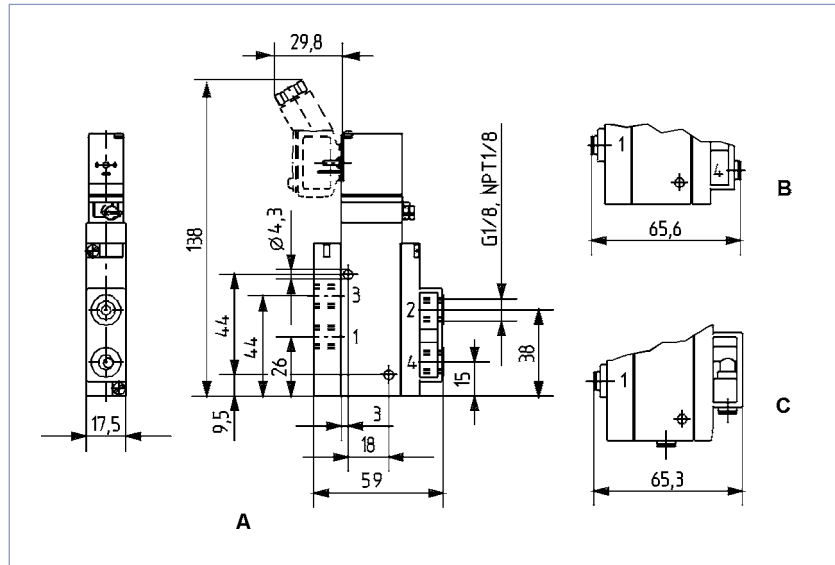
**Type 0044**  
Pneumatic cylinder

The Type 5470 E is available as a 3/2 and 4/2-way valve. The valve can be used as a single valve in a variety of applications. Numerous pipe connections variants exist.

Technical data	
<b>Orifice</b>	DN 4.0 mm
<b>Body material</b>	Polyamide (PA)
<b>Valve internals</b>	Ultramide
<b>Seal material</b>	NBR
<b>Media</b>	Compressed air, neutral gases
<b>Media temperature</b>	+14 to 122 °F (-10 to + 50 °C)
<b>Ambient temperature</b>	+14 to 131 °F (-10 to + 55 °C)
<b>Port connection 1 to 4 (versions)</b>	NPT 1/8, G 1/8 Tube connection SL 6/4 mm Push-in connection 1/4 OD tube Ø 6 mm
<b>Voltage tolerance</b>	±10%
<b>Power consumption</b>	2W, 3W (refer to the effective coil power in the Ordering Table.)
<b>Duty cycle</b>	100% continuous rating
<b>Electrical connection</b>	Spade connector acc. to DIN 43 650 Form C for cable plug type 2506 (see Accessories)
<b>Protection class</b>	IP 65 with cable plug
<b>Type of protection</b>	EEx ia IIC T6 on request
<b>Installation</b>	As required, preferably with actuator upright
<b>Approvals</b>	UL Recognized

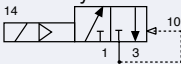
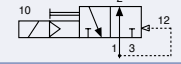
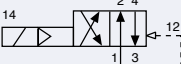
Dimensions [mm]

Dimensions [mm]	
Version	Port connection
A	Threaded connection NPT 1/8, G 1/8
B	Push-in connection 1/4" OD tube
C	Push-in connection 1/4" OD tube, service ports 2 and 4 downwards



Ordering chart for valves (other versions on request)

Single valves with different port connections, tag connector on the side, without cable plug (see Accessories)

Circuit function	Orifice [mm]	Cv [gpm]	QN-value air [l/min]	Pressure range [psi]	Port connection (1 and 3 as well as service ports 2 and 4 (see drawing for the versions))	Voltage/frequency [V/Hz]	Coil effective power [W]	Item no.
<b>C</b> 3/2-way valve NC 	4.0	0.32	300	29 – 145	Push-in coupling 1/4" O.D. tubing downwards	024/DC	2	458 358 T
						110–120/DC	3	458 359 U
						220–240/DC	3	458 360 Z
<b>D</b> 3/2-way valve NO 	4.0	0.32	300	29 – 145	Push-in coupling 1/4" O.D. tubing downwards	024/DC	2	458 361 N
						110–120/DC	3	458 362 P
						220–240/DC	3	458 363 Q
<b>G</b> 4/2-way valve 	4.0	0.32	300	29 – 145	Threaded port 1/8" NPT in front	024/DC	2	458 352 M
						110–120/DC	3	458 353 N
						220–240/DC	3	458 354 P
					Push-in coupling 1/4" O.D. tubing in front	024/DC	2	458 355 Q
						110–120/DC	3	458 356 R
						220–240/DC	3	458 357 J
					Push-in coupling 1/4" O.D. tubing, in front impulse version	024/DC	1	458 383 D
Threaded port 1/8" NPT in front impulse version	024/DC	1	458 382 C					

Accessories

Ordering chart for accessories

Accessory part	Description	Item no.
Cable plug type 2506 <sup>1)</sup>	without circuit, 0 - 250 V	008 353 P
Cable plug type 2506 <sup>1)</sup>	with rectifier and varistor, 12 - 240 V	008 412 T
Cable plug type 2506 <sup>1)</sup>	with LED, 12 - 24 V	008 402 A
Cable plug type 2506 <sup>1)</sup>	with LED and varistor, 12 - 24 V	008 408 Q
Cable plug type 2506 <sup>1)</sup>	with LED, rectifier and varistor, 12 - 24 V	008 354 Q
Cable plug type 2506 <sup>1)</sup>	with LED, rectifier and varistor, 110 - 120 V	008 355 R
Cable plug type 2506 <sup>1)</sup>	with LED, rectifier and varistor, 200 - 240 V	008 356 J

<sup>1)</sup> With these accessories, only a partial list of possible cable plugs with built-in circuit functions are mentioned. For other versions see data sheet Type 2506. A flat seal and mounting screw come with each cable plug.

Cable plug Type 2509 (pin assignment per DIN 43650, Form C)

