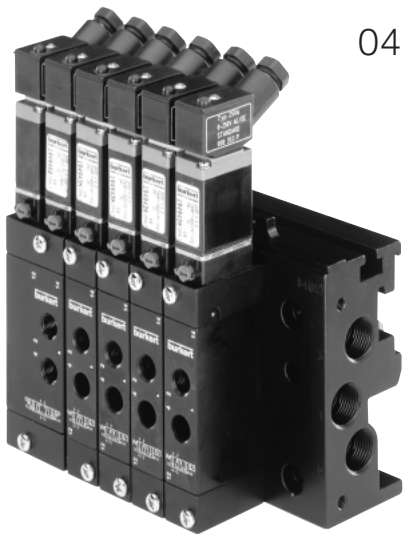


Process Actuation System for Hazardous Areas



0450 EExi

High Flow ALUMINUM Valves

- ✓ EEx ia IIC T6 approved
- ✓ Optimized System Solutions for hazardous areas
- ✓ High Flow Rates
- ✓ Long service life even with non-lube conditions
- ✓ Pre-tested and supplied easy to connect

Hazardous Areas

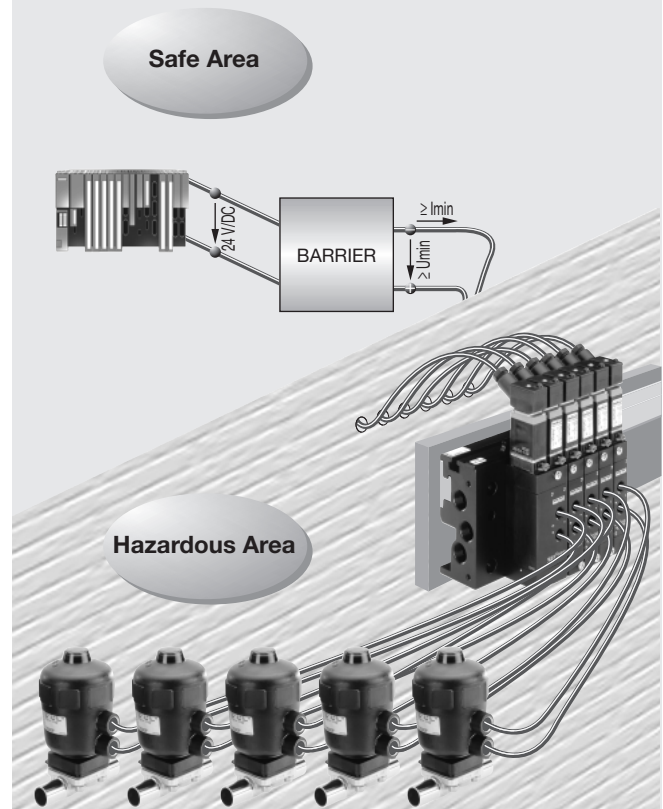
0450 EExi

The multi-way valve type 0450 Ex brings Burkert's 0450 centralized process actuation solution to hazardous areas. Its high flow rates in combination with the aluminum bodies allow a wide range of applications. Most commonly used safety barriers are approved for applications with the 0450 EExi. For easy installation, the valves can (on request) be supplied pre-wired to WAGO and Harting junction boxes.

Specification

Valve type	0450 EExi
Materials	Aluminum anodised
Valve body	Al, St.Steel, brass
Valve internals	POM/NBR
Seals	
Pneumatic modules	Aluminum anodised
Fluids	Filtered compressed air, lubricated or unlubricated
Manual override	Standard
Valve port connection	G ¹ / ₈
Rating	IP 65 with plugs
Power supply	24 V/DC
Certification	EEx ia IIC T6
Intrinsically safe barrier	Required
Ambient Temperature	
Pi = 0.7 W	-10 up to +50°C at T6
Pi = 0.9 W	-10 up to +60°C at T5
Configuration	To customer requirement
Electrical connection options	Cable plug 2506 EaseOn cable plug 2510
Prewired junction boxes	WAGO (on request) Harting (on request)

- Applications:**
- Chemical Industry
 - Pharmaceutical Processing Equipment
 - Cosmetic Processing Equipment
 - Water Treatment / Processing Equipment

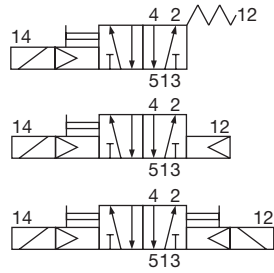


Process Actuation System for Hazardous Areas

Technical Data

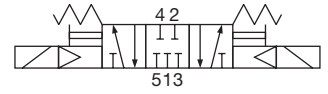
Function H

5/2 way valve, servo-assisted, in de-energized position, port 2 pressurized and port 4 exhausted. Different returns incl. impulse valve



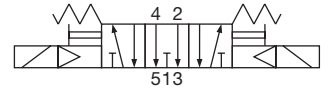
Function L

5/3 way valve, servo-assisted, in middle position, all ports locked



Function N

5/3 way valve, servo-assisted, in middle position, ports 2 and 4 exhausted



Valve Characteristics

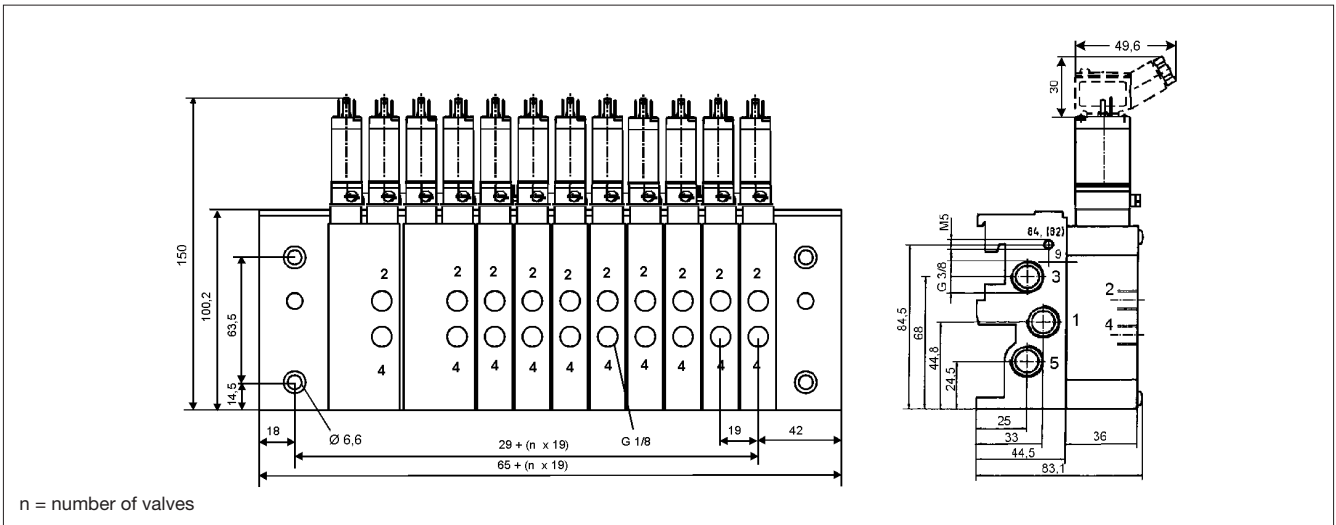
Circuit function	Flow rate [l/min]	Pressure range [bar]	Reset	Response times		Item-No.
				opening [ms]	closing [ms]	
H (5/2)	750	2 – 8	air spring	19	25	194 941 L
H (5/2)	750	2 – 8	spring	17	27	194 943 N
H (5/2)	750	2 – 8	impulse*	16	16	194 944 P
L (5/3)	650	2 – 8	spring*	17	27	194 945 Q
N (5/3)	650	2 – 8	spring*	16	16	194 946 R

* valves have double mounting dimensions (36 mm wide)

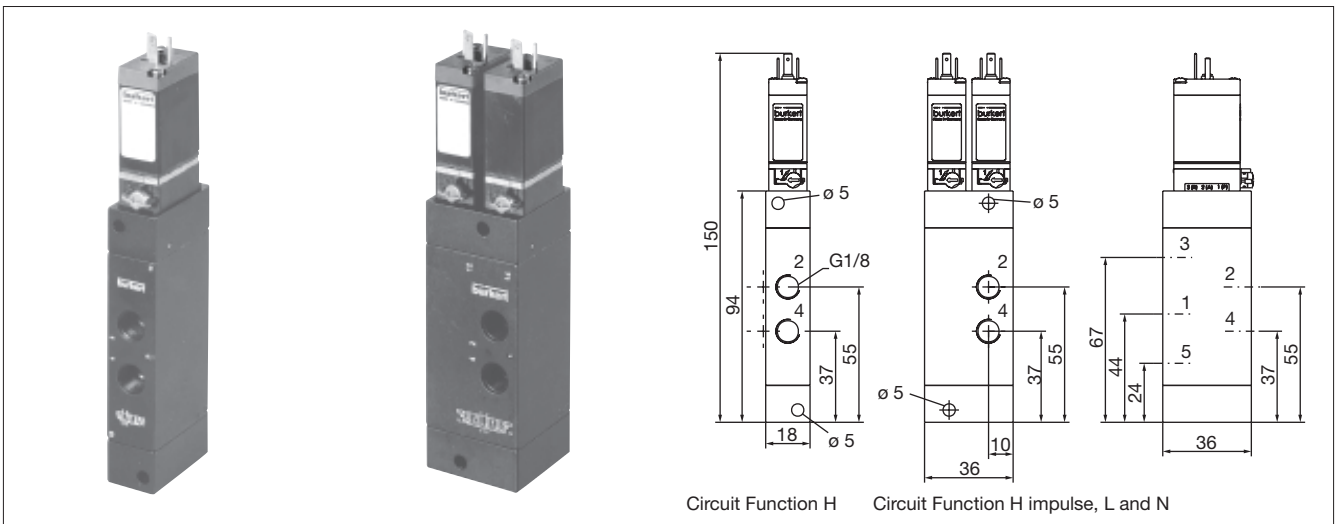
0450
EExi

Process Actuation System for Hazardous Areas

Dimensions [mm] with 0450 EExi Valves

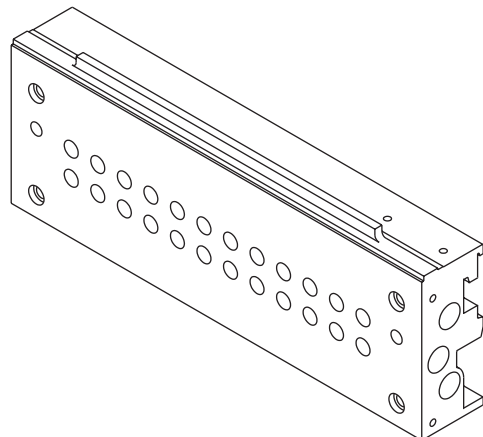


Dimensions [mm] 0450 EExi



Pneumatic Modules 0450 EExi

Number of valves	Item-No.
4	194 256 V
6	194 264 V
8	194 265 W
10	194 266 X
12	194 267 Y
14	194 268 H
16	194 269 A
18	194 270 F
20	194 271 U
22	194 272 V
24	194 273 W
Blind cover*	194 379 G



Hazardous Areas

0450
EExi

Process Actuation System for Hazardous Areas

Approved Barriers for Use with 0450 EExi

Supplier	Type	Max. Resistance at 55°C
Bartec	Modex 07-7311-93M6/P060	144 Ω
	19-100.2801/1010	163 Ω
CEAG	SB-0728	100 Ω
	SB-1728	100 Ω
	6/915-7	70 Ω
	7/915-7	70 Ω
	2/915-7	70 Ω
	4/915-7	70 Ω
	5/915-7	70 Ω
	LB 2112	154 Ω
	FB 2112	154 Ω
Hima	F3328 (Characteristics A or C)	140 Ω
H & B	V17132-55	273 Ω
	V17332-61	200 Ω
MTL	728	140 Ω
	4021	154 Ω
	4728	110 Ω
	7028+	108 Ω
	7028-	108 Ω
	4025	93 Ω
	5025	68 Ω
	8215-DO-IS	195 Ω
	P & F	KFD2-SD-Ex1.48
KFD2-SL-Ex1.48		97 Ω
KFD2-SD-Ex1.48.90A		97 Ω
KFD2-SL-Ex1.48.90A		97 Ω
Z 728		140 Ω
Z 828		140 Ω
Z 728.CL		140 Ω
Z 828.CL		140 Ω
KSD2-BO-Ex		173 Ω
RSD-BO-Ex4		106 Ω
VAA-2EA-G5-N/V1-Ex		203 Ω
EGA-041-3		120 Ω
ED2-VD-Ex.2.1835		160 Ω
Phoenix Contact	PI/Ex-SD/22/45-C	191 Ω
Stahl	9351/10-16-10	163 Ω
	9151/10-16-10	193 Ω
	9475/12-04-21	144 Ω
	9475/12-04-31	82 Ω
	9475/12-08-51	54 Ω
	9651/40-16-10	233 Ω
	9001/01-280-100-10	138 Ω
	9001/01-252-100-14	182 Ω
Turck	MC 72-41Ex-T	157 Ω
	MC 72-43Ex-T	157 Ω

In case of special requirements
please consult for advice.

We reserve the right to make technical changes without notice.
112-GB/ 1-0250